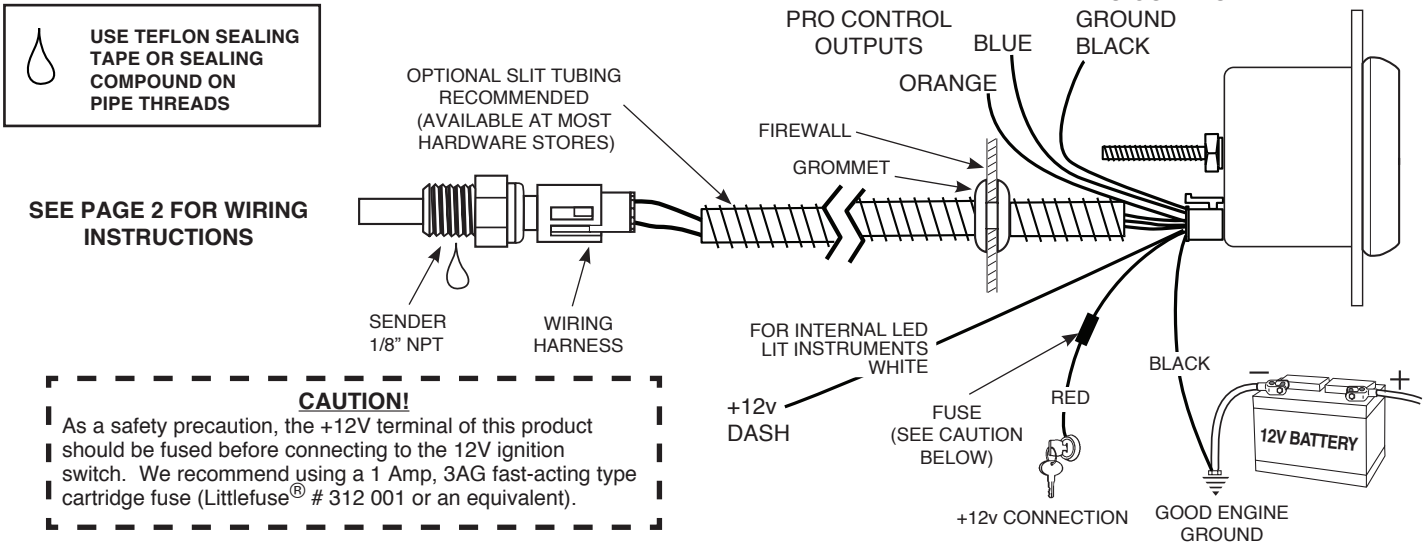


# FULL SWEEP ELECTRIC TEMPERATURE GAUGE WITH WARNING INDICATOR, PEAK RECALL & PRO CONTROL

2650-1330-00



## Installation

**NOTE:** Some late model vehicles use electronic sensors in their pressure and temperature senders for engine control functions. Before removing the original sender, we recommend that you contact your automotive dealer to be sure no critical functions will be disrupted.

1. Check that you have all parts required for installation, and the engine is cool.
2. Disconnect the negative (-) battery cable.
3. Gauge mounts in a 2-1/16" hole. Use supplied brackets and nuts to secure gauge to dash.
4. Drill 1" diameter hole where wires pass through sheet metal (such as firewall and install rubber grommet provided. (Grommet will require slit.)
5. Connect the white wire to dash lighting or switchable 12v light source, the red wire to switched +12V source and the black wire to ground. (see diagram for details)
6. Install temperature sender.
  - A. Water Temp: Install temperature sender.  
Note: Included sender is 1/8" NPT. For 3/8" NPT or 1/2" NPT ports, use included adapter.
  - B. Trans. Temp: Hole may have to be drilled, and adapter nut welded or brazed in pan. Be sure there is adequate internal clearance for nut and sender.

7. Cut end of included dielectric grease packet, and squeeze grease into connector of temperature sender prior to connecting harness. (Important: This will protect connection from dirt and moisture.)
8. Connect red wire to switched +12V source and the black wire to ground. (see diagram for details)
9. Reconnect negative (-) battery cable.

**NOTE:** Test all fittings and connections for leaks. If any leaks are detected, determine the cause of the leak and repair. Do not operate vehicle if any leaks are detected.

**Caution:** LUBRIPLATE® DS-ES is a non-hazardous substance. However, it is recommended to wash hands thoroughly after use.

**NOTE:** Do not remove factory temp sender to install temp sender. If no location found, a hose adapter can be used.

**NOTE:** When the ignition is off the pointer may not always rest at zero.

## Power-Up

The pointer will move backward to the stop pin and then display actual temperature. This procedure is an auto-calibration function and is performed on every power-up. While this test is being performed, the gauge may make a clicking sound. This is normal.

## Peak Recall

Press and hold the PEAK button to recall the highest temperature reading since the memory was last cleared. To clear the memory, press and hold the PEAK button, and while still holding the PEAK button, press the WARN button. The pointer will move to the stop pin to indicate that the memory has been cleared. Release the PEAK and WARN buttons to resume normal operation. The peak recall point is retained when power is removed from the gauge.

## Pro Control High Warning Set Point with Indicator

To adjust the high warning set point, momentarily press and release the WARN button. The warning light will begin to flash and the pointer will move to the previous high warning set point signifying that warning set mode has been selected. Once in set mode, press the WARN button to move the pointer down, or press the PEAK button to move the pointer up. Three seconds after the last button press, the warning light will stop blinking and the pointer will return to the current temperature reading. The warning set points are retained when power is removed from the gauge. The Pro Control high set point is also the warning indicator set point.

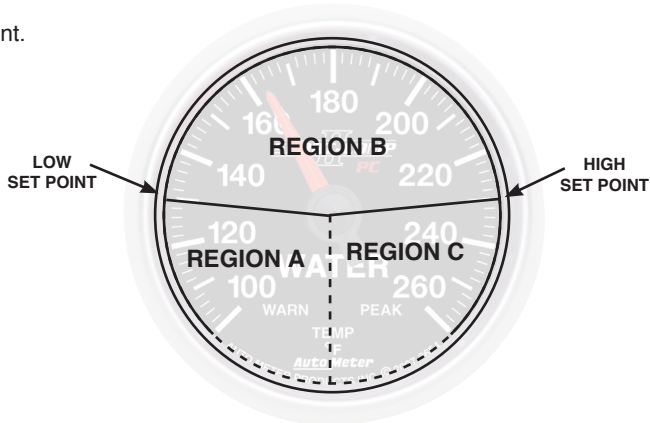
# Pro Control Low Warning Set Point

To adjust the low warning set point, press and hold the WARN button, and while still holding the WARN button, press the PEAK button. The warning light will begin to flash and the pointer will move to the previous low warning set point signifying that warning set mode has been selected. Once in set mode, press the WARN button to move the pointer down, or press the PEAK button to move the pointer up. Three seconds after the last button press, the warning light will stop blinking and the pointer will return to the current temperature reading. The warning set points are retained when power is removed from the gauge.

## Pro Control

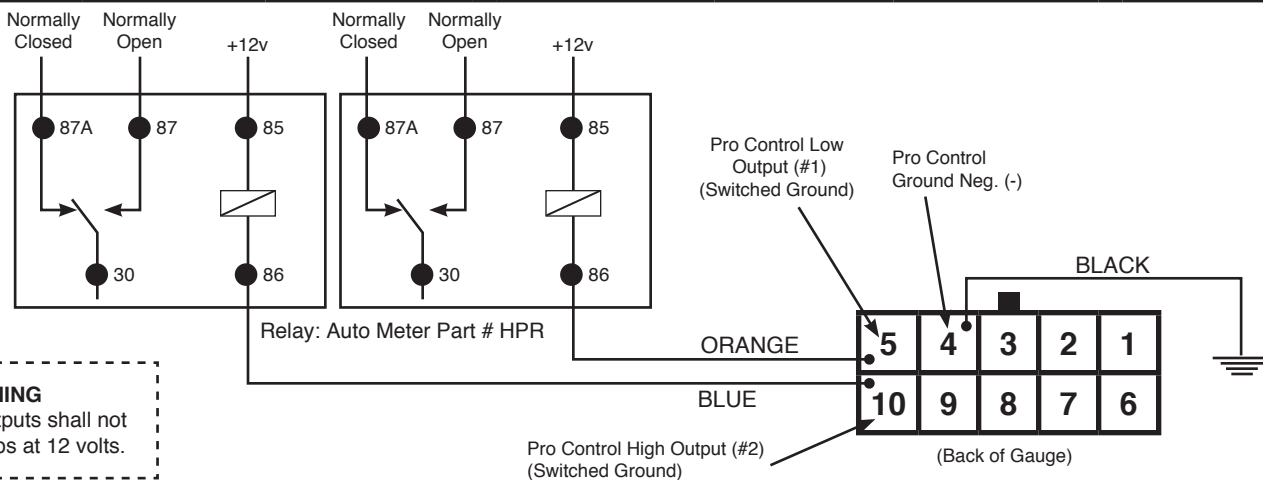
The Pro Control feature activates a switched ground output at a user defined set point. Pro Control can be used to switch on a relay to activate ignition kill, cooling fans, lamps, alarms, etc.

The set points define three regions on the gauge dial, the region below the low set point, between the set points, and above the high set point.



### PRO CONTROL RELAY DIAGRAM

| POINTER REGION | LOW SET POINT               |                       |                         | HIGH SET POINT               |                       |                         | WARNING INDICATOR |
|----------------|-----------------------------|-----------------------|-------------------------|------------------------------|-----------------------|-------------------------|-------------------|
|                | PRO CONTROL LOW OUTPUT (#1) | NORMALLY OPEN CONTACT | NORMALLY CLOSED CONTACT | PRO CONTROL HIGH OUTPUT (#2) | NORMALLY OPEN CONTACT | NORMALLY CLOSED CONTACT |                   |
| A              | Active (ON)                 | CLOSED (ON)           | OPEN (OFF)              | OFF                          | OPEN (OFF)            | CLOSED (ON)             | OFF               |
| B              | OFF                         | OPEN (OFF)            | CLOSED (ON)             | OFF                          | OPEN (OFF)            | CLOSED (ON)             | OFF               |
| C              | OFF                         | OPEN (OFF)            | CLOSED (ON)             | Active (ON)                  | CLOSED (ON)           | OPEN (OFF)              | ON                |



**WARNING**  
Pro Control Outputs shall not exceed 2.0 amps at 12 volts.

### SERVICE

For service send your product to Auto Meter in a well packed shipping carton. Please include a note explaining what the problem is along with your phone number. Please specify when you need the product back. If you need it back immediately mark the outside of the box "RUSH REPAIR," and Auto Meter will service product within two days after receiving it. (\$10.00 charge will be added to the cost of "RUSH REPAIR.") If you are sending product back for Warranty adjustment, you must include a copy (or original) of your sales receipt from the place of purchase.

### 12 MONTH LIMITED WARRANTY

Auto Meter Products, Inc. warrants to the consumer that all Auto Meter High Performance products will be free from defects in material and workmanship for a period of twelve (12) months from date of the original purchase. Products that fail within this 12 month warranty period will be repaired or replaced at Auto Meter's option to the consumer, when it is determined by Auto Meter Products, Inc. that the product failed due to defects in material or workmanship. This warranty is limited to the repair or replacement of parts in the Auto Meter instruments. In no event shall this warranty exceed the original purchase price of the Auto Meter instruments nor shall Auto Meter Products, Inc. be responsible for special, incidental or consequential damages or costs incurred due to the failure of this product. Warranty claims to Auto Meter must be transportation prepaid and accompanied with dated proof of purchase. This warranty applies only to the original purchaser of product and is non-transferable. All implied warranties shall be limited in duration to the said 12 month warranty period. Breaking the instrument seal, improper use or installation, accident, water damage, abuse, unauthorized repairs or alterations voids this warranty. Auto Meter Products, Inc. disclaims any liability for consequential damages due to breach of any written or implied warranty on all products manufactured by Auto Meter.

FOR SERVICE SEND TO: **AUTO METER PRODUCTS, INC.** 413 W. Elm St., Sycamore, IL 60178 USA (815) 899-0801

Email us at [service@autometer.com](mailto:service@autometer.com)

<http://www.autometer.com>



The Super Bezel is a registered trademark of Auto Meter Products, Inc.